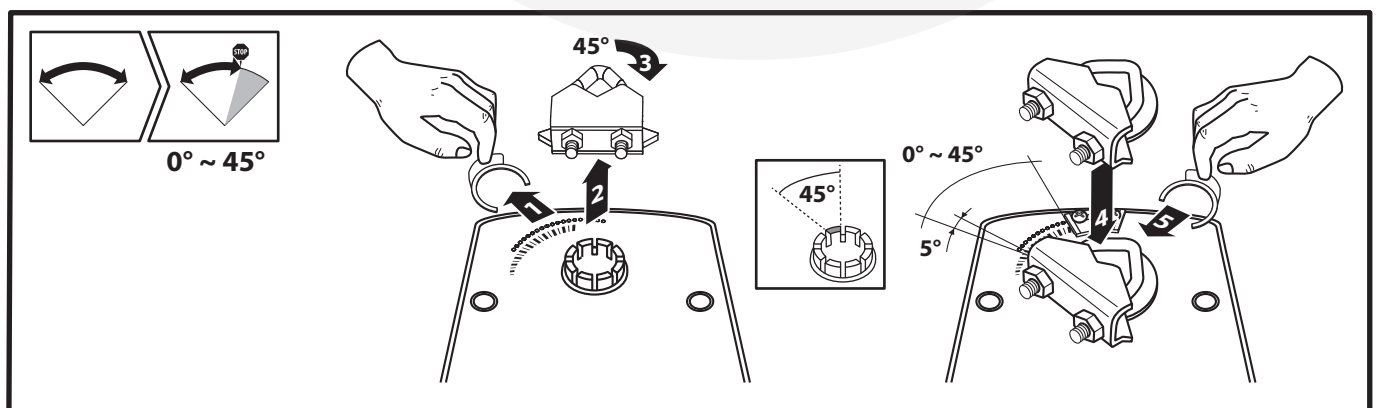
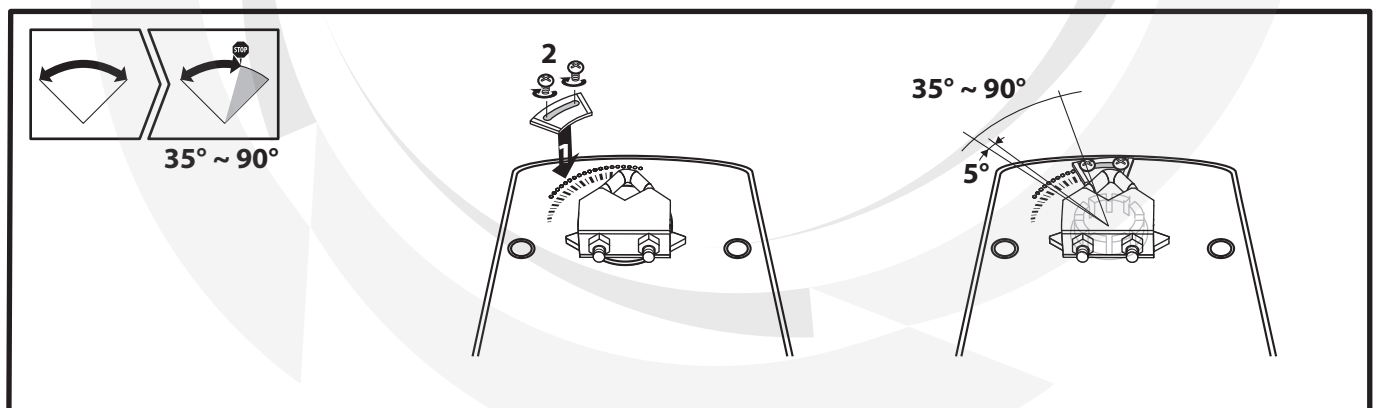
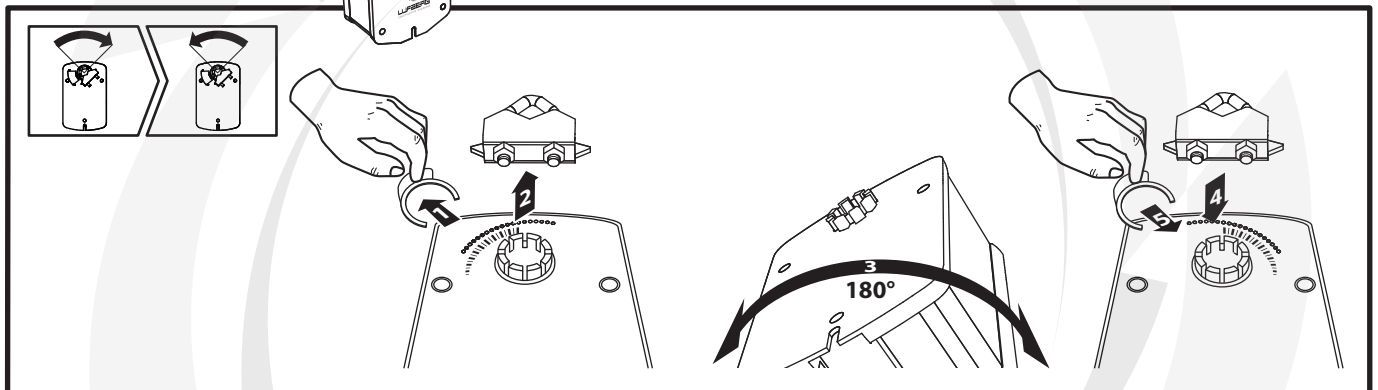
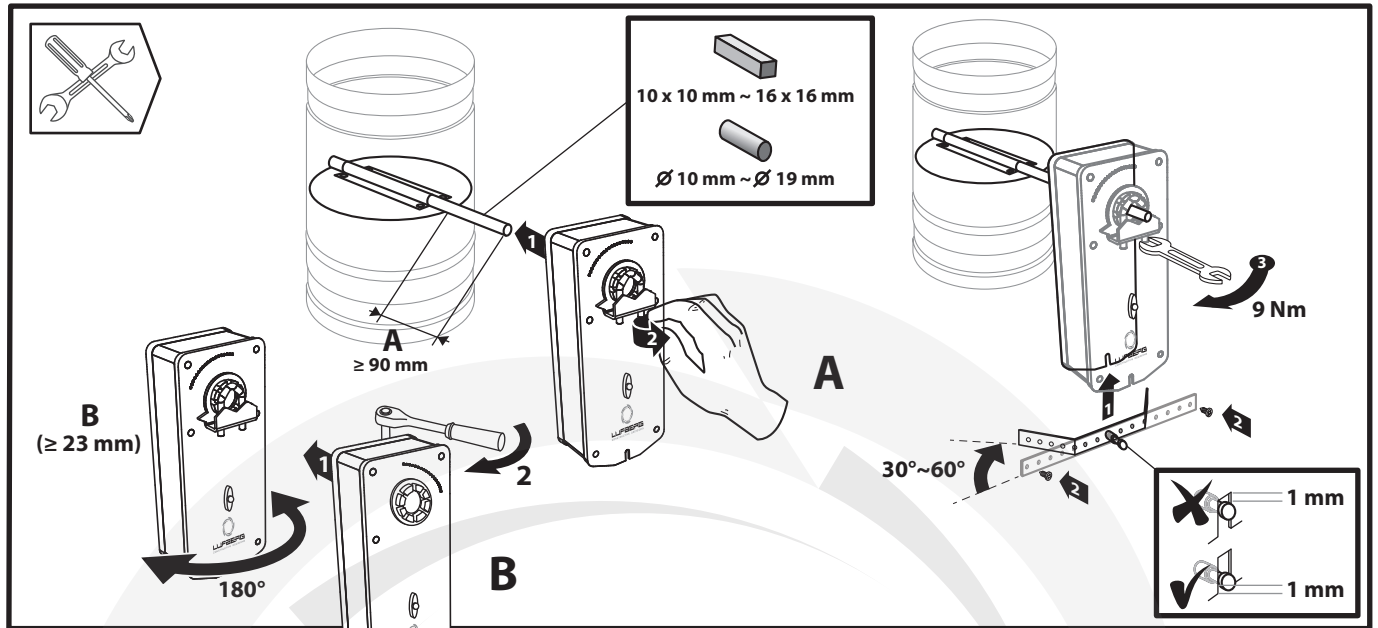


Actuator, Klappenstellantrieb, Электропривод, Servophonon

DA10S..., DA15S...



LUFBERG
CONSTRUCTIVE DECISIONS

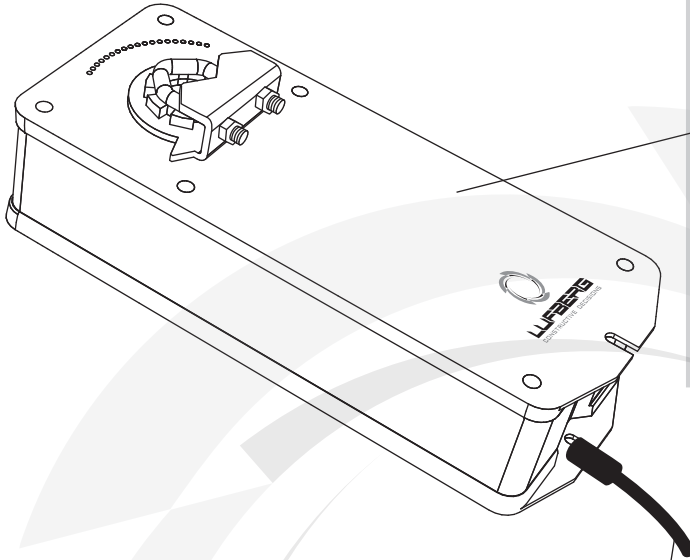
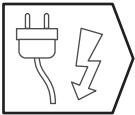


Actuator, Klappenstellantrieb, Электропривод, Servorohon

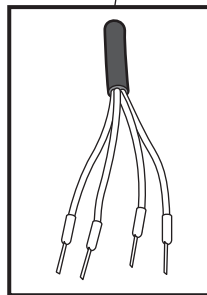
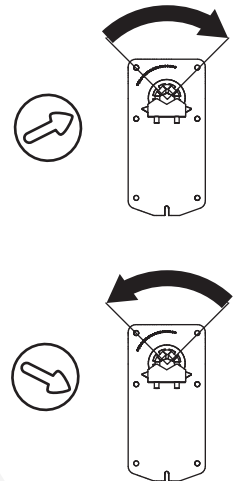
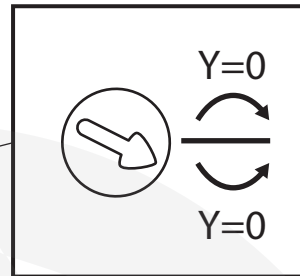
DA10S..., DA15S...



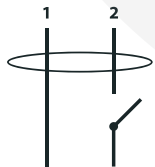
LUFBERG
CONSTRUCTIVE DECISIONS



DA10S24P, DA10S24PS,
DA15S24P, DA15S24PS

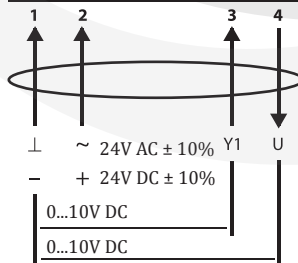


DA10S24, DA10S24S,
DA10S220, DA10S220S,
DA15S24, DA15S24S,
DA15S220, DA15S220S



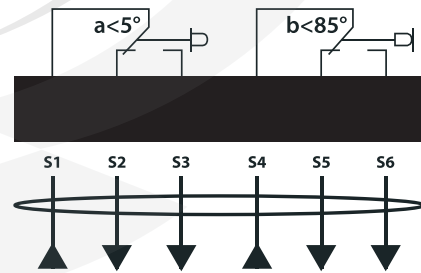
⊥ ~ 24V AC ± 10 %
- + 24V DC ± 10 %
N L1 230V AC ± 10 %

DA10S24P, DA10S24PS,
DA15S24P, DA15S24PS



⊥ ~ 24V AC ± 10% Y1 U
- + 24V DC ± 10%
0...10V DC
0...10V DC

DA10S24S, DA10S220S, DA10S24PS,
DA15S24S, DA15S220S, DA15S24PS



3 (1,5)A / 250V

All rights reserved.
The company Lufberg reserves the right to change technical specifications of product without previous announcement.
On these product was issued Declaration of conformity in accordance with those directives: the Low Voltage Directive 2006/95/EC, the Electromagnetic Compatibility Directive 2004/108/EC and Machinery Directive 2006/42/EC

DA10S...



DA15S...

